

PARENT/PLAYER HANDBOOK SPRING 2011



For information contact

Thomas Nicolakakos - Program Director

Phone (954) 612-3390

Email: thomas.nicolakakos@us.hsbc.com

A Message From Your Program Director

Hello Region 1370,

I am Thomas Nicolakakos, and I have the honor of representing you as the Director for Region 1370 Vip Program. This season our region supports over 60 VIP players and continues to provide soccer programs that encourage children and young adults to play an increasing popular game. We measure our success not only by player retention, but also how well our players are adjusted to life outside of soccer. Building strong foundations, immersed in a sense of being part of our extended regional family, is a key to success.

An amazing component to the region are the people who give endless hours of their time to support the programs. Each season our region undergoes changes to better enhance the experience bringing forth new challenges. Our management team, coaches, team managers, and all other supporting volunteers are second to none. As you can imagine, one person or a select few can not take on all of the regional responsibilities. Most, if not all, of our volunteers don't "have" the time to take on any commitment, they "make" the time. I honor and respect all who have contributed, as they are truly the backbone to the success of the region.

We wish each player, volunteer, and family to have a positive experience. We hope the time we spend together will become fond memories. Thank you for choosing Region 1370 as a place to come out and play!

Respectfully,
Thomas Nicolakakos

VIP EXECUTIVE COMMITTEE

Thomas Nicolakakos - Program Director	(954) 612-3390
Ray Ortega - Safety Director	(561) 702-9081
Denise Ryan - Buddy Coordinator	(561) 357-5602
Vanessa Horvath - Child Volunteer Protection Advocate	(404) 456 6772
Luis Gajardo - VIP Trainer	(561) 289-2543
Sandra Vanegas - Purchasing Director	(561) 641-8497



VIP MISSION STATEMENT

The mission of the *AYSO VIP Program* is to provide a quality soccer experience for individuals whose physical or mental disabilities makes it difficult for them to successfully participate on mainstream soccer teams.

AYSO'S SIX PHILOSOPHIES

Everyone Plays

Balanced Teams

Open Registration

Positive Coaching

Good Sportsmanship

Player Development

VIP GOALS...

These players are Very Important Players in AYSO. We recognize that all people need to feel a sense of belonging and acceptance. The VIP Program offers that acceptance and carries our philosophy of Everyone Plays® to new heights - giving everyone a chance to play

Kids with Special Needs are estimated to make up approximately 10% of the school-aged population and approximately 20% of the United States population is identified as having some type of disability. Special schools and programs can be isolating, so the VIP Program has been structured to integrate our players into the rest of AYSO by providing a soccer season, and in some cases, using "buddies" - able bodied helpers - to assist players who need assistance, both on and off the field.

The VIP program extends the AYSO philosophy of "Everyone Plays" to include all players. Through participation in the VIP soccer, our goal for every player is to:

Our goals for every participating player are:

- Have fun playing soccer
- Learn teamwork and fair play
- Become more physically fit
- Understand the fundamentals of the game
- Increase positive self-esteem
- Meet and be comfortable with new people



AYSO VIP SOCCER GAMES WILL BE PLAYED AT:

**West Boynton Park & Recreation
6000 Northtree Blvd., Lake Worth, FL 33463**

PRACTICE/GAME DAY SCHEDULE:

- 1:15 pm Buddies arrive**
- 1:45 pm Players arrive/parachute game/kick soccer ball around/meet their buddies and coach**
- 2:00 pm VIP Starting lap**
- 2:15 pm VIP Obstacle curriculum**
- 3:00 pm VIP Games**
- 3:30 pm Program finished**



VIP TEAMS AND THE HEAD COACHES:

- | | |
|---------------------------|---|
| Team 1 (Hunter) | Marc Infante - (561) 558-3044 |
| Team 2 (Navy) | Lionel Pascual - (561) 251-5826 |
| Team 3 (Burgandy) | David Jaramillo - (561) 703-6860 |
| Team 4 (Gold) | Vanessa Horvath - (404) 456 6772 |
| Team 5 (Tangerine) | Richard Thomas - (561) 222-6093 |
| Team 6 (Turquoise) | Nancy Howard - (561) 313-9585 |

2011 SEASON SCHEDULE

March 20th	Opening Day
March 27th	Magic show following soccer practice/game
April 3rd	Picture day plan to arrive 30 min. early to have individual and team photos taken
April 10th	Regular practice /game
April 17th	Make up pictures for those who missed the first date
April 24th	No games – Happy Easter
May 1st	Magic show following soccer practice/game
May 8th	No games – Happy Mother’s day
May 15th	Regular practice /game
May 22nd	Final practice/game afterward will be a family and friends cookout, bounce house, music and fun for everyone!



**FOOD WILL BE AVAILABLE FOR PURCHASE FROM
OUR FOOD VENDOR, TACOS AL CARBON**

A VIP INSIDE LOOK: Lucy Meyer

AYSO's Very Important Player (VIP) Program has touched many lives, including Chuck, Jamie and Lucy Meyer. After learning of nearby AYSO Region 69, the Meyers were curious if AYSO had any programs for children with special needs. Jamie, Lucy's mother, visited the AYSO website and discovered VIP.

A few weeks later, Lucy – who has Cerebral Palsy – was participating in Region 69's VIP Program and was having an amazing experience. “She loves the socialization and being part of a group of people where she feels totally involved and not just an observer,” said Jamie. “This is her first real experience with team sports and keeping score – which is invaluable for a child to experience - and because of VIP, Lucy is able to learn important lessons. I wish this soccer league was all year long!”

“I think that it is great that the coaches and high school students who assist have found the right balance between support and encouragement without coddling,” said Lucy’s father Chuck. “It was good to see Lucy actually break a sweat during the game!”

Walmart  SM
Save money. Live better.

*Supports the AYSO Region 1370
VIP Program!*



4545 Hypoluxo Road
Lake Worth, FL 33463
561-642-6005
www.walmart.com



HSBC 

The world's local bank

Thomas Nicolakakos

Vice President - Branch Manager

President's Award Recipient

HSBC Bank USA, National Association

301 N. Federal Highway • Pompano Beach, FL 33062

Tel: (954) 785-4900 • Fax: (954) 785-7150

Cell: (954) 612-3390

SUPPORTS THE VIP PROGRAM

CHRIS' TAVERNA

6338 Lantana Road
Suite #54
Lantana, FL 33463
(561) 964-4233
www.christaverna.com

Supports the
AYSO Region 1370
VIP Program!



Lesser, Lesser, Landy & Smith

101 Northpoint Pkwy.
W. Palm Beach, FL 33407
(561) 655-2028
www.lesserlawfirm.com

Supports the
AYSO Region 1370
VIP Program!

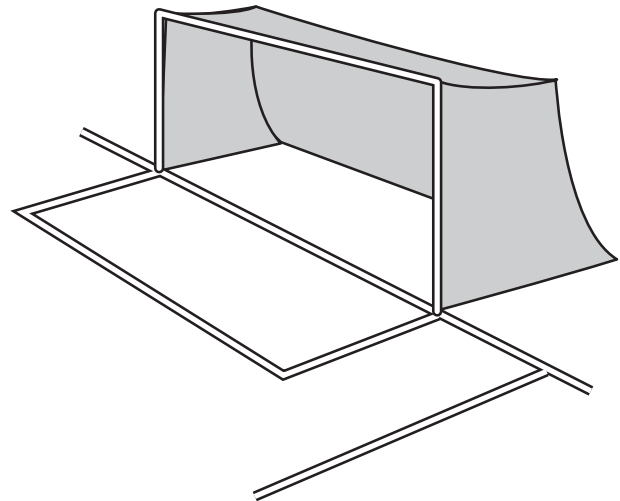


ISO 9001:2000 Certified

GEORGE A. FORTMULLER
VICE PRESIDENT
CHIEF FINANCIAL OFFICER & SECRETARY

1515 S.W. 13th Court • Pompano Beach, FL 33069-4789
Phone: (954) 946-3500 ext. 7449 • Fax: (954) 941-1921
Direct Line: (954) 545-7449 E-Mail: george_fortmuller@stimpson.com
Website: www.stimpson.com

SUPPORTS AYSO REGION 1370 VIP PROGRAM



The VIP Program operates on a 100% volunteer basis at no cost to the players. To continue to offer the VIP Program at no cost sponsorships are needed.

If you are interested in a sponsorship please contact
Thomas Nicolakakos (954) 612-3390
Email: thomas.nicolakakos@us.hsbc.com